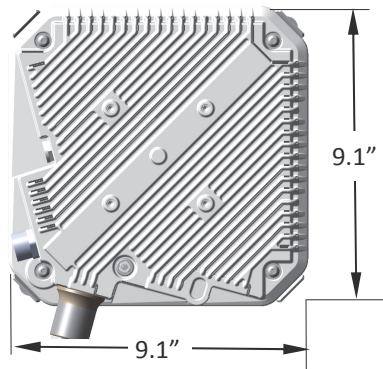
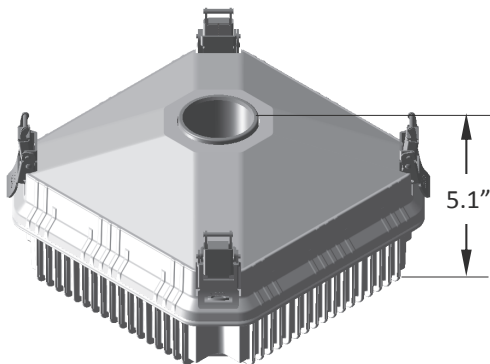


RF Specifications			
Frequency Range	71-76 GHz / 81-86 GHz		
Air Interface	FDD		
RF Channel Tuning	Frequency Agile in 62.5 MHz steps over band		
Transmit Power	+26 dBm (+0.5/-1.5 dB)		
Channel Bandwidth	1000 MHz		
Modulation	QPSK		
Receiver Threshold (BER = 1x10 ⁻⁶)	-60dBm		
System Gain	86 dB		
Latency	41.5 ns/ODU, 83 ns/link		
Data Throughput Rate	1.25 Gbps in 1+0 Configurations		
Antennas + System Gain			
Antenna Diameter	1ft / 30 cm	2 ft / 60 cm	3ft / 120 cm
Mid-band gain	45 dBi	51 dBi	54 dBi
3 dB Beamwidth	0.8°	0.5°	0.3°
Total System Gain	176 dB	187 dB	194 dB
Ethernet			
Tributary Ethernet Interface	SFP, 1310nm, LC SFP, 850nm, LC		
Craft Interface	10/100BaseTX		
Mechanical, Environmental, Management			
Input Power Requirements	-48VDC using 2-wire Direct DC or PoE @ 60W		
Size	231 x 231 x 130 mm 9.1 x 9.1 x 5.1 in		
Weight	8.9 lb / 4.0 Kg		
Temperature Range	-45°C to +55°C -49°F to 131°F		
Weather	IP67 / All Weather		
Management	SNMP, Web GUI		
Safety	IEC 60950-1, -22		
Regulatory	US FCC Part 101, FCC Part 15B Class A, ETSI EN 302 217-3		



E-Band Communications LLC
 17034 Camino San Bernardo
 San Diego, CA 92127 USA
 +1-858-408-0660
 www.e-band.com

©Copyright 2019. E-Band Communications LLC, an Axxcss Wireless Solutions Inc., company.

Specifications listed are typical and reserves the right change features and specifications without notice. Latency is measured from Ethernet tributary input to Ethernet tributary output in a back-to-back configuration and does not include propagation losses. E-Link LLEAP also marketed as E-Link 1000-LL.

E-Band™ is a trademark of E-Band Communications LLC V062019